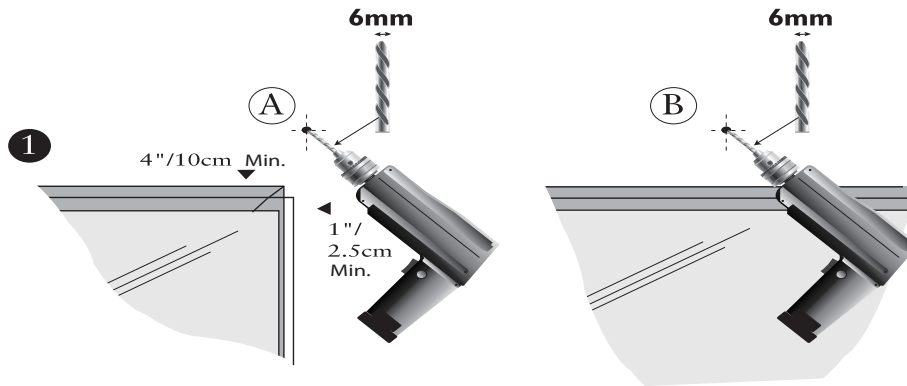


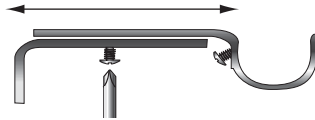
# Nikola Pole Fitting Instructions



Mark & drill top holes of the support (A) using a 6mm drill bit. On longer length poles mark and drill top hole (B) in the middle for centre support. Fix screw until screw head is approx. 3mm from the wall.

2

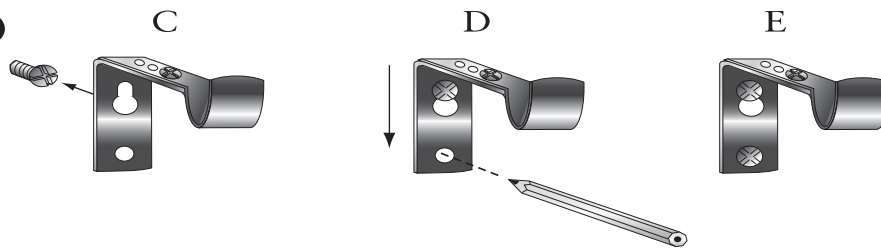
*Extend to required length*



If required, extend support to desired length and fasten securely using the small grub screw.

*Practical Tip: Insert the small screw behind the support cup now (figure F), but do not tighten until pole has been positioned.*

3

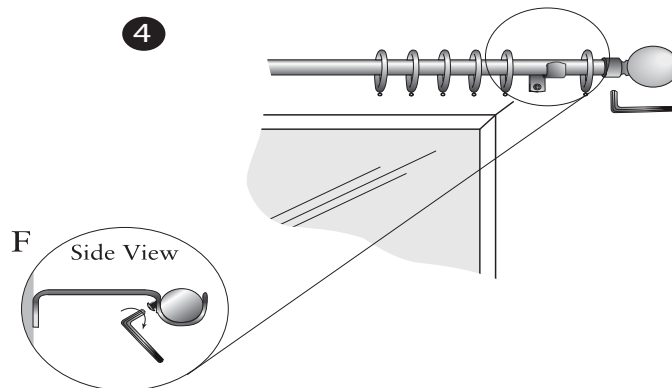


Hook support onto the screw head using the larger key-hole (C).

Slide the support downward into position before marking and drilling the bottom support hole (D).

Tighten both screws to hold support firmly in position (E).

4



Add rings and finials.

*Position one ring at each end between the finial and the support, this will act as an end stop.*

Place the pole into the supports & tighten the grub screw behind the support cup to hold the pole firmly in place.