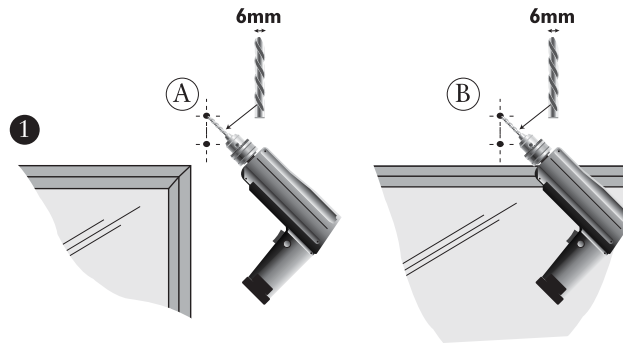
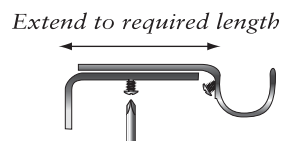


# 28mm Poles Apart Fitting Instructions



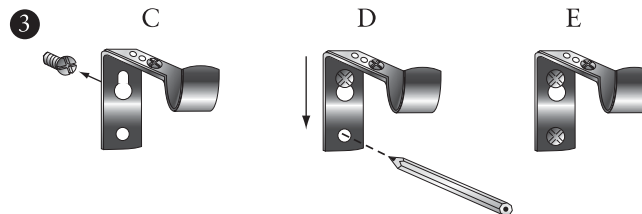
Mark & drill 2 holes (A) for each of the end supports using a 6mm drill bit. On longer length poles, mark and drill 2 holes (B) in the middle for the centre support.

2



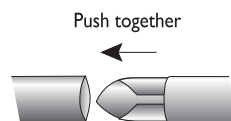
If required, extend support to desired length and fasten securely using the small grub screw.

*Practical Tip: Insert the small screw behind the support cup now (figure E), but do not tighten until pole has been positioned.*



Hook support onto the screw head using the larger key-hole (C). Slide the support downward into position before marking and drilling the bottom support hole (D). Tighten both screws to hold support firmly in position (E).

## How to Join 2 Piece Poles



Join 2 piece poles using the joining bar provided.

## Cutting the Poles



If required, cut the pole to size.  
Please note: If cutting 2 piece poles, cut an equal amount off both poles.  
This will ensure the join remains in the centre.

Component parts may vary in style.